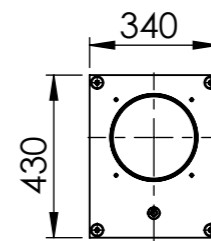
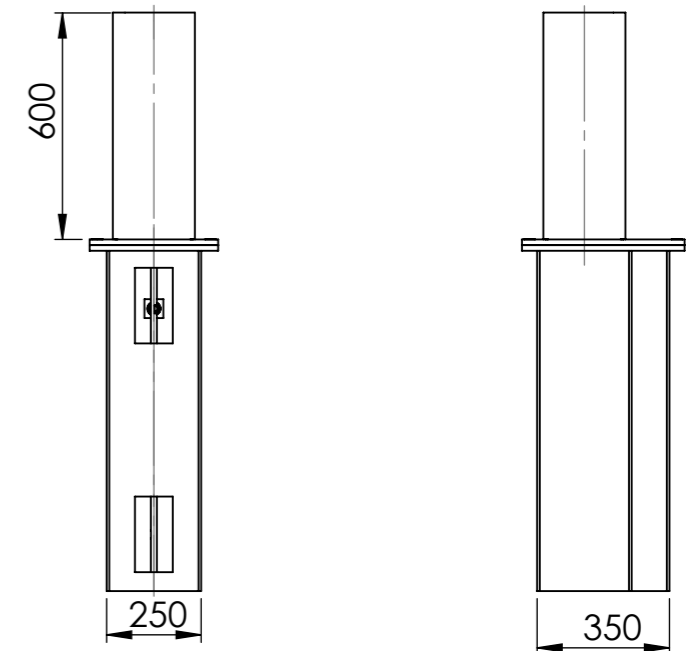
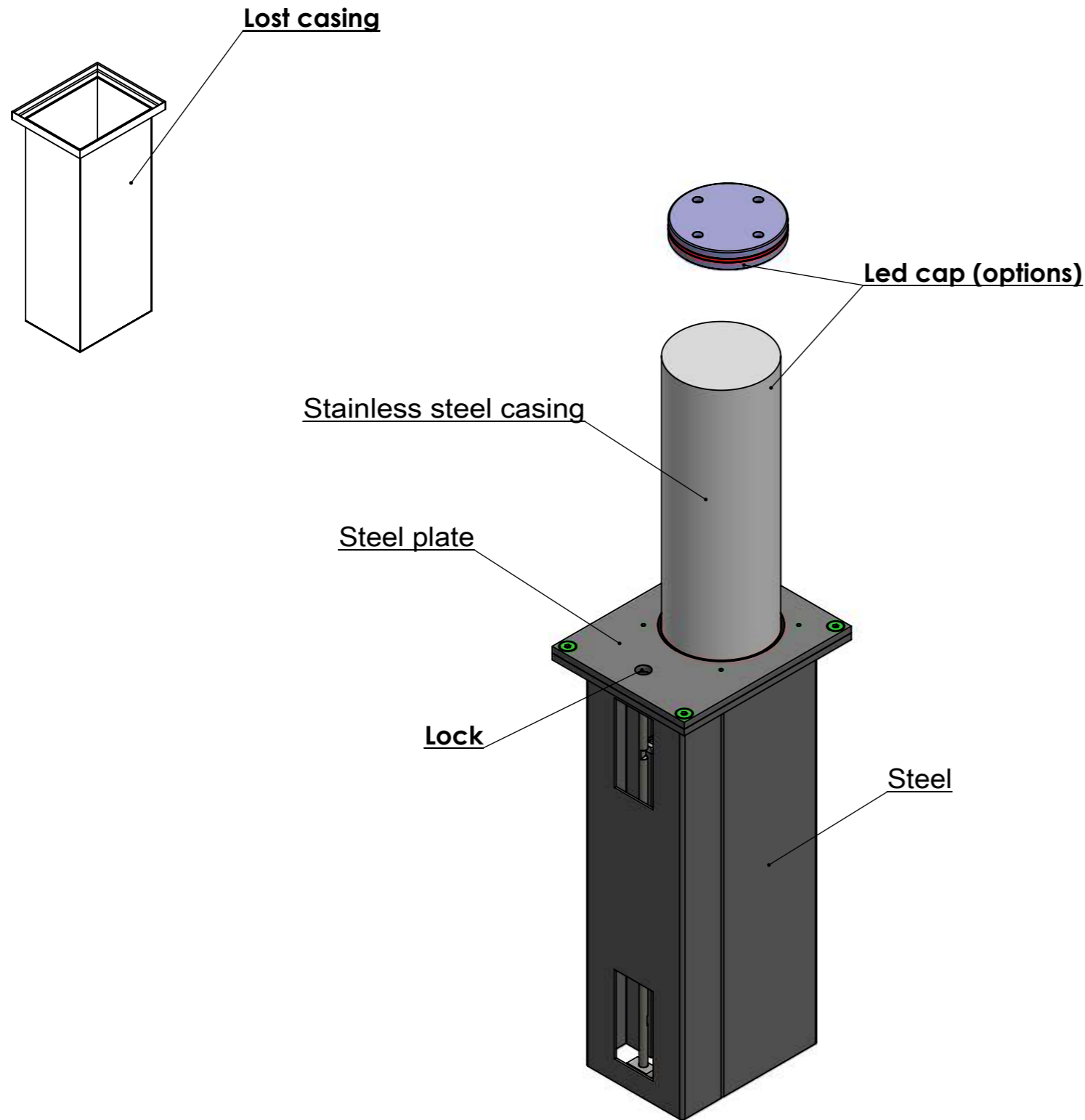

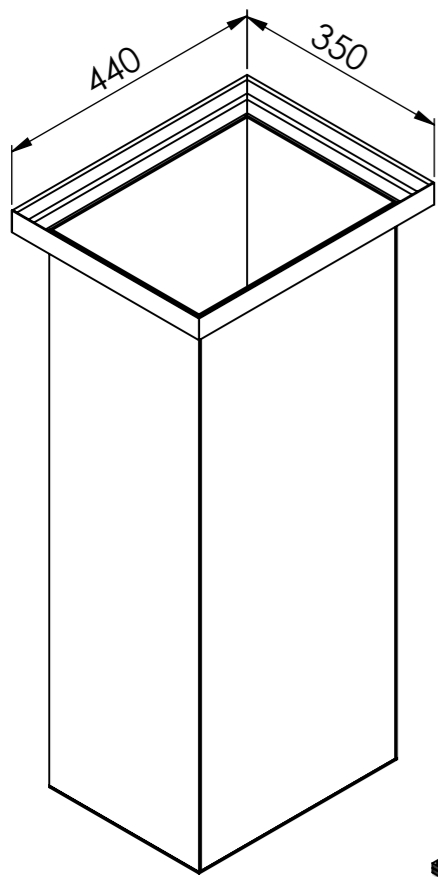


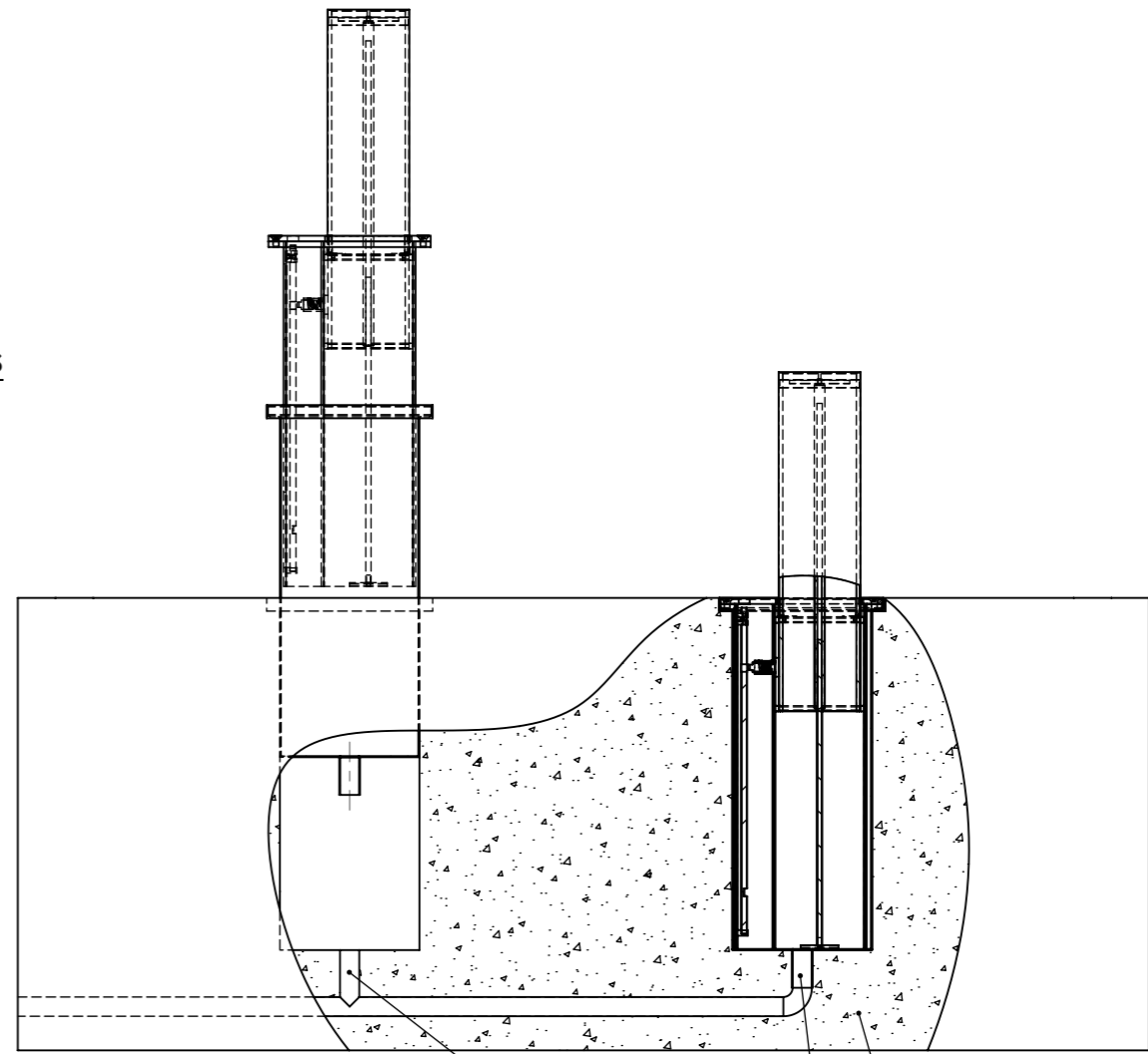
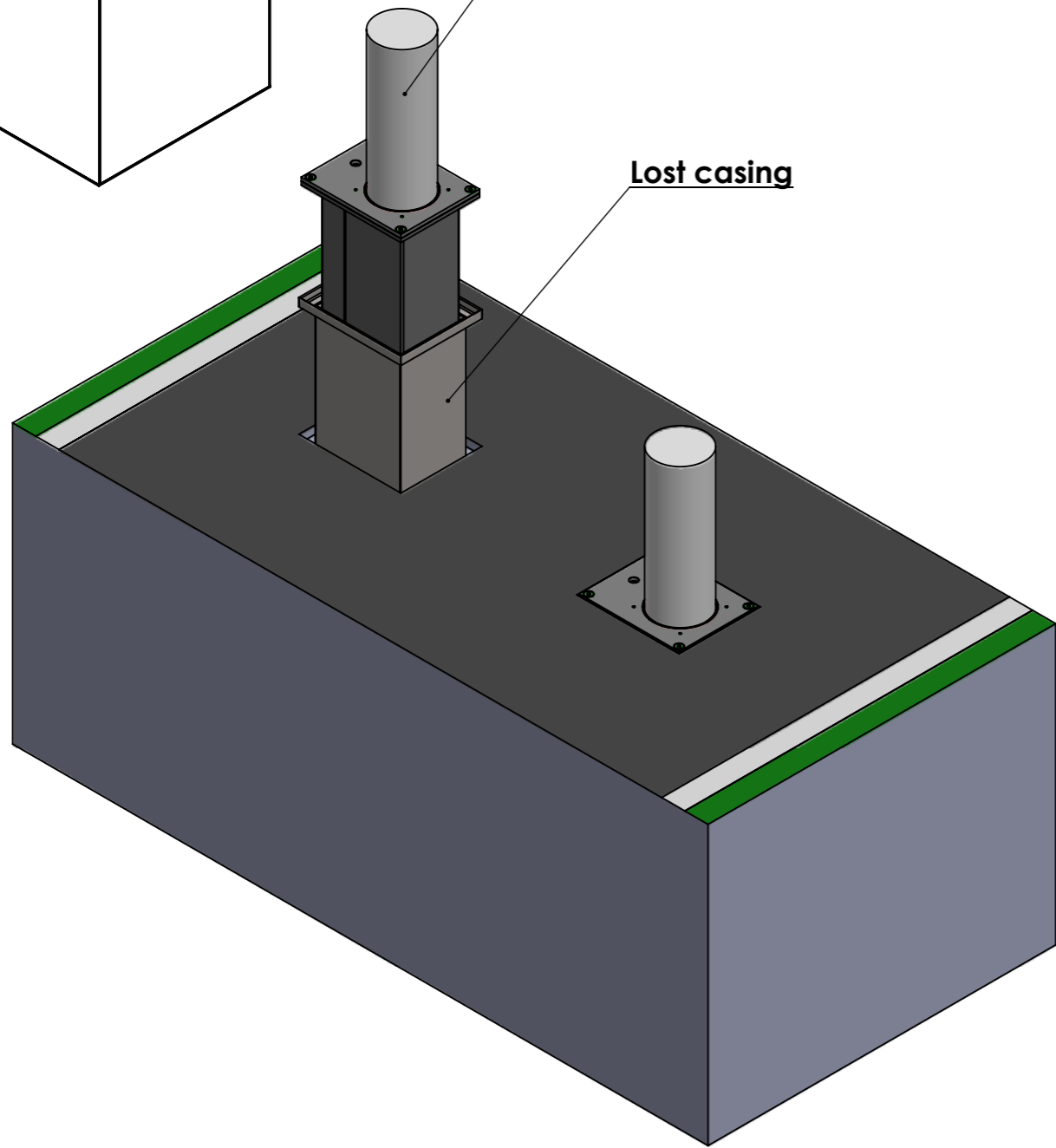
Bollard item: BS4000




UNLESS OTHERWISE SPECIFIED: DIMENSIONS ARE IN MILLIMETERS SURFACE FINISH: TOLERANCES: ±0.1 mm. LINEAR: ±0.5 mm. ANGULAR: ±0.5°				FINISH:		Quant.		DO NOT SCALE DRAWING		REVISION	
DRAWN				NAME		SIGNATURE		DATE		Project: Bollard item: BS4000	
CHK'D										BGI Intelligent Barrier Solutions Site: www.bgibarriers.com Phone: 972-3-5500465 Fax: 972-3-5583113 E-mail: info@bgibarriers.com	
APPV'D										 BGI INTELLIGENT BARRIER SOLUTIONS	
MFG										DWG NO.	
Q.A										BS4000-B.G.Ilanit-Final	
										A3	
										SCALE:1:20	
										SHEET 1 OF 2	
										WEIGHT:	



Bollard item: BS4000
Bollard type: Semi-automatic
Bollard stroke: 600 mm.
Diameter: 220 mm.
Power supply: Manually assisted
Maintenance: Service once every 3 years



Concrete
Drain pipe

UNLESS OTHERWISE SPECIFIED: DIMENSIONS ARE IN MILLIMETERS		FINISH:	Quant.	DO NOT SCALE DRAWING		REVISION
SURFACE FINISH:				Project: Bollard item: BS4000		
TOLERANCES: ±0.1 mm.				BGI Intelligent Barrier Solutions Site: www.bgibarriers.com Phone: 972-3-5500465 Fax: 972-3-5583113 E-mail: info@bgibarriers.com		
LINEAR: ±0.5 mm.				 BGI INTELLIGENT BARRIER SOLUTIONS		
ANGULAR: ±0.5°				DWG NO. BS4000-B.G.Ilanit-Final		
NAME	SIGNATURE	DATE		A3		
DRAWN						
CHK'D						
APPV'D						
MFG						
Q.A			MATERIAL:			
			WEIGHT:	SCALE:1:20		
				SHEET 2 OF 2		