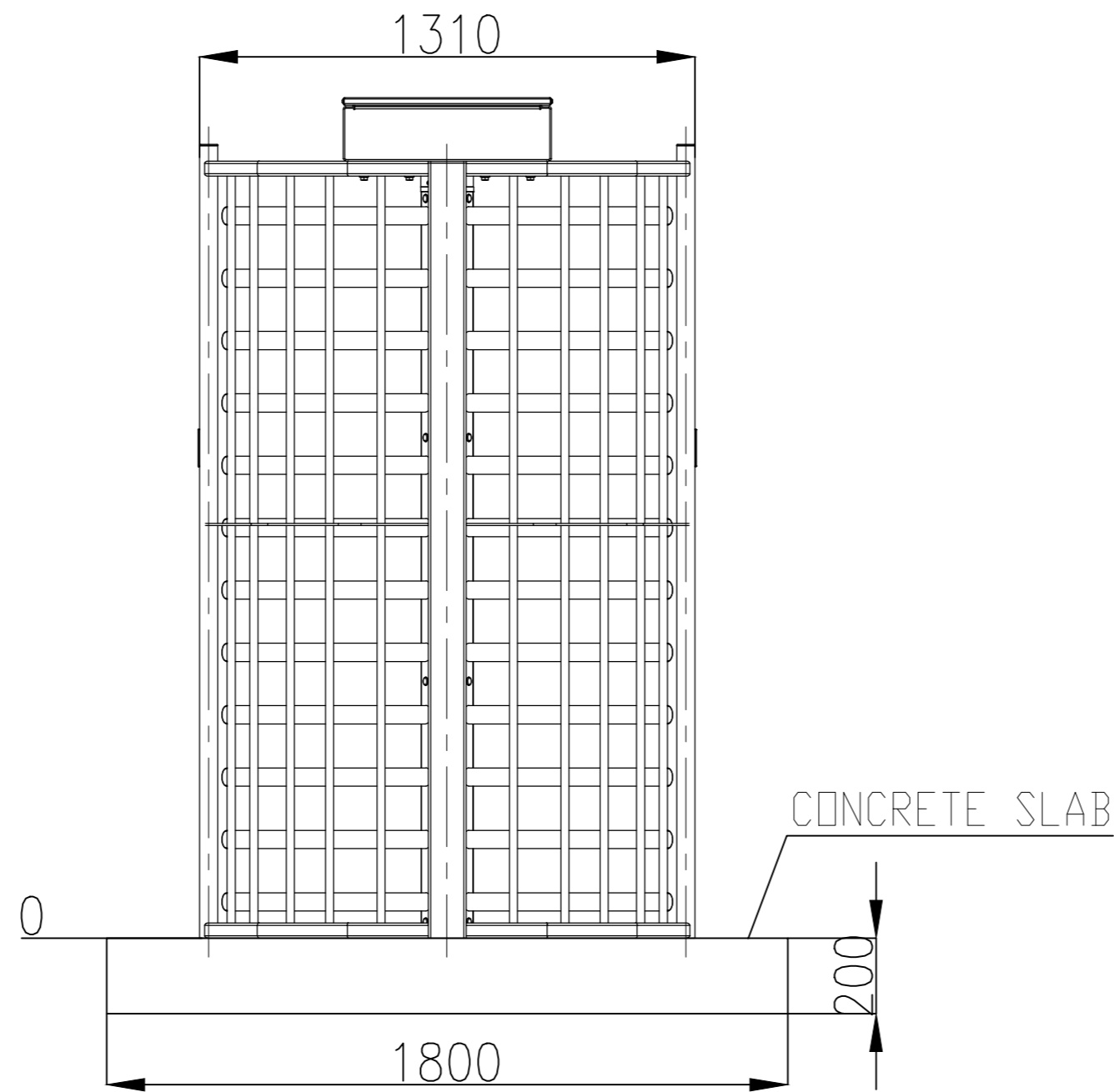
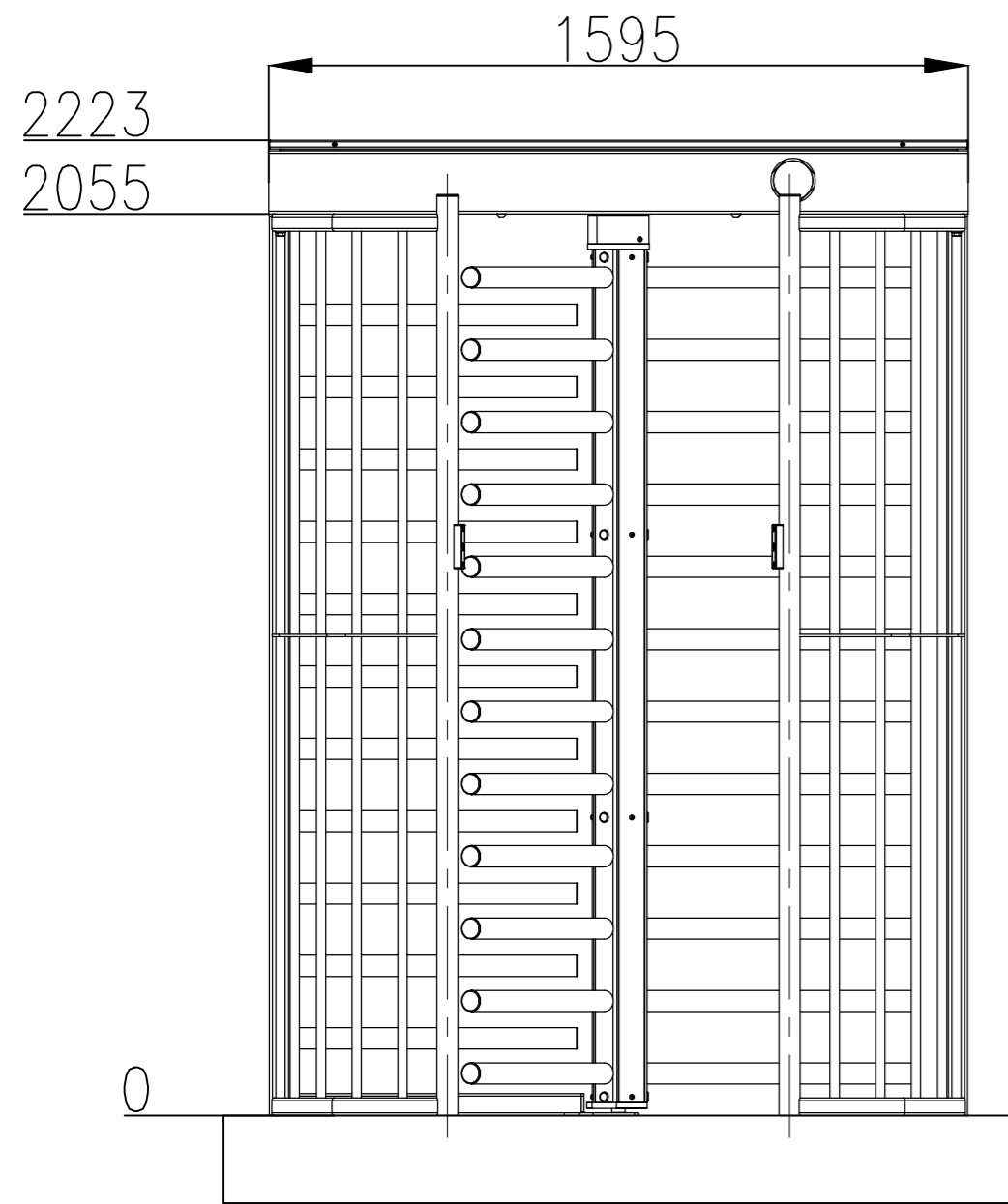
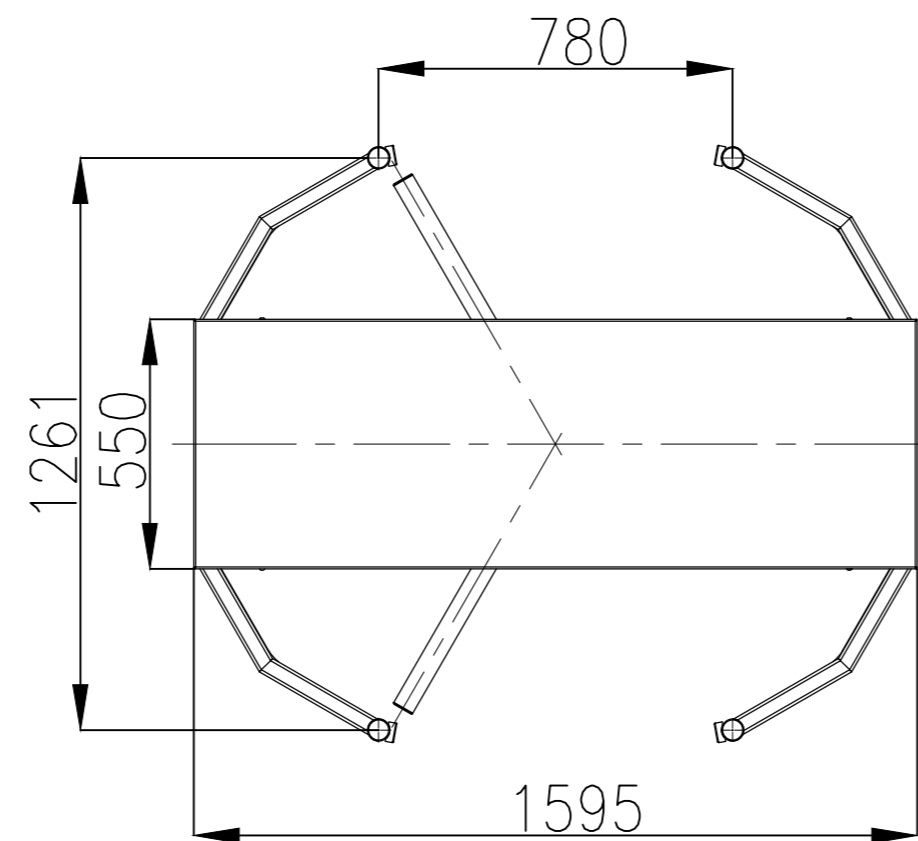
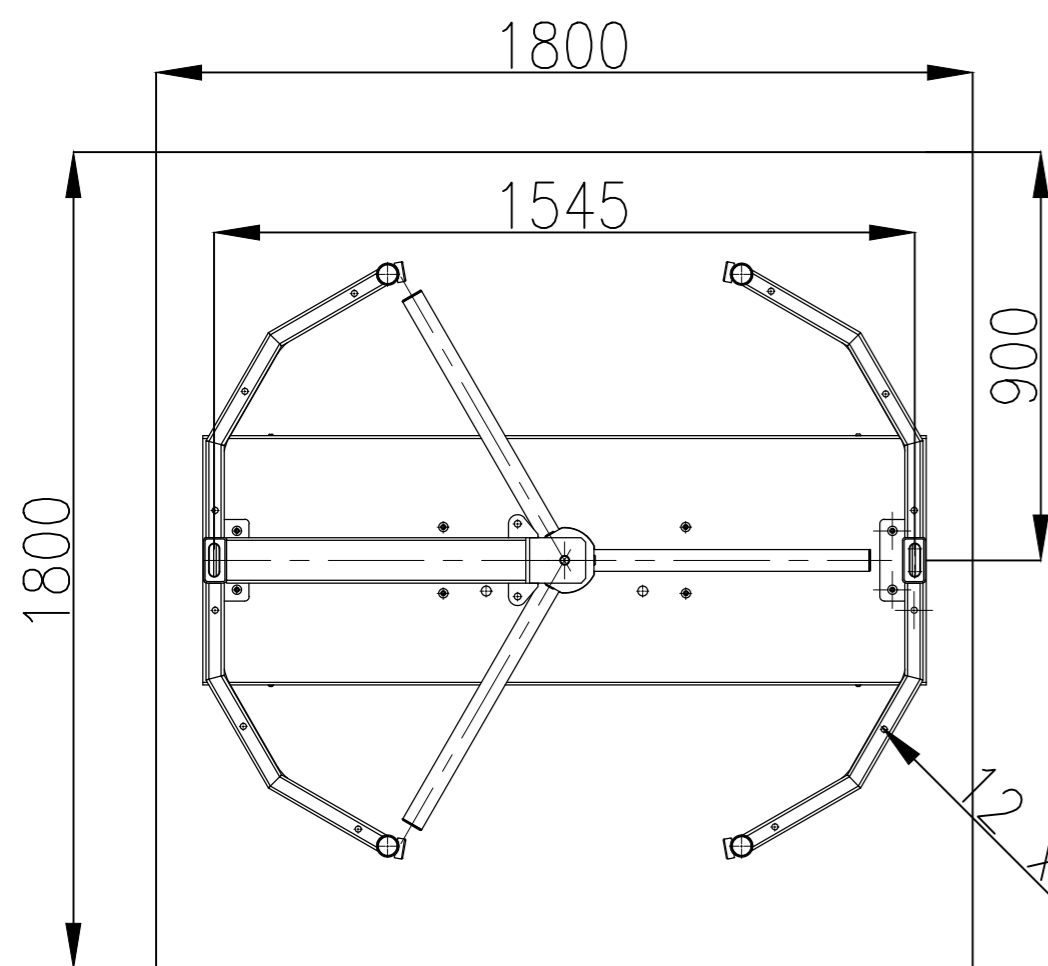
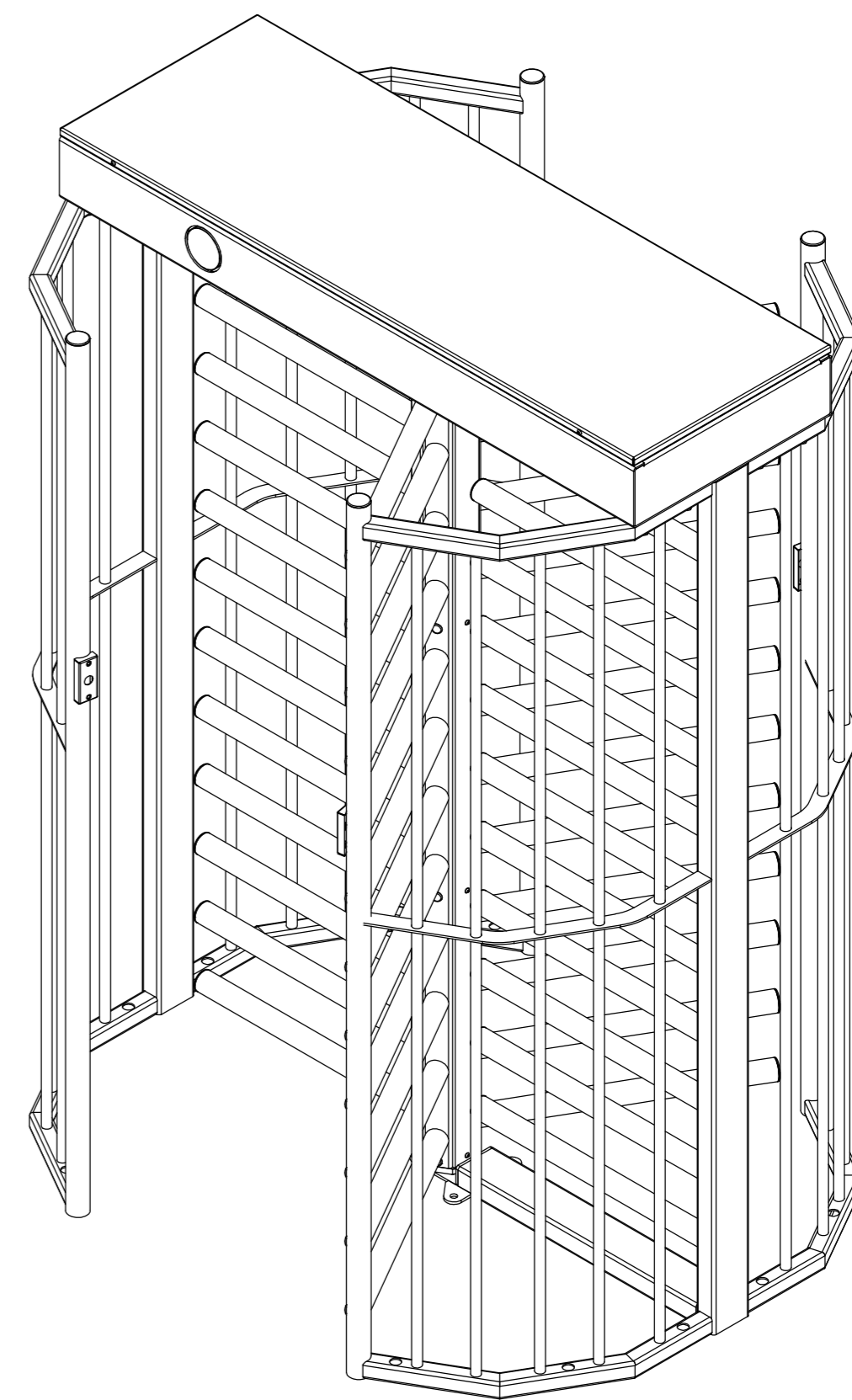


Turnstile TS11 MANUAL



CONCRETE SLAB



12 x Ø13 THRU

UNLESS OTHERWISE SPECIFIED: DIMENSIONS ARE IN MILLIMETERS		FINISH		DO NOT SCALE DRAWING		REVISION	
TOLERANCES: < 5 ±0.2 5-30 ±0.5 30-120 ±0.8 120-400 ±1.2 400-1000 ±2.0 1000-2000 ±3.0 2000-4000 ±4.0 > 4000 ±5.0 ANGULAR: ±0.5°		כביצוע תאריך		Project: Turnstile TS11-Manual B.G.Ilanit Gates & Urban elements LTD. Site: www.bgi-barriers.com Phone: 972-3-530465 Fax: 972-3-5363113 E-mail: info@bgiilanit.com		DWG NO. A2	
תאריך תאריך		NAME SIGNATURE DATE		MATERIAL		BGI INTELLIGENT BARRIER SOLUTIONS	