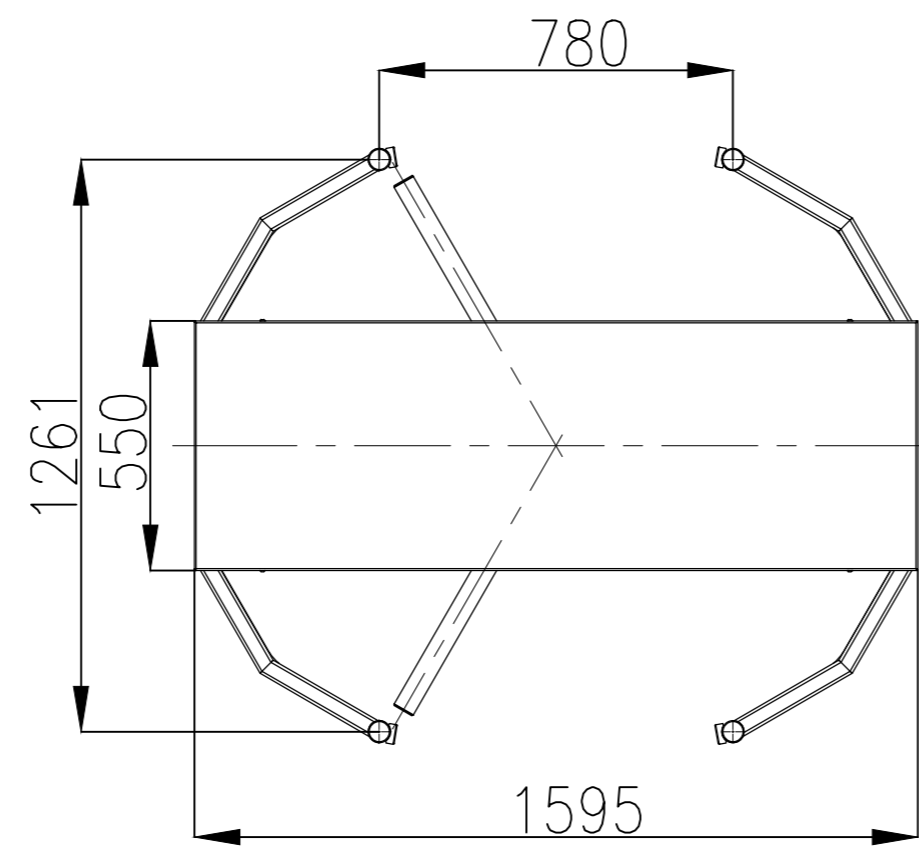
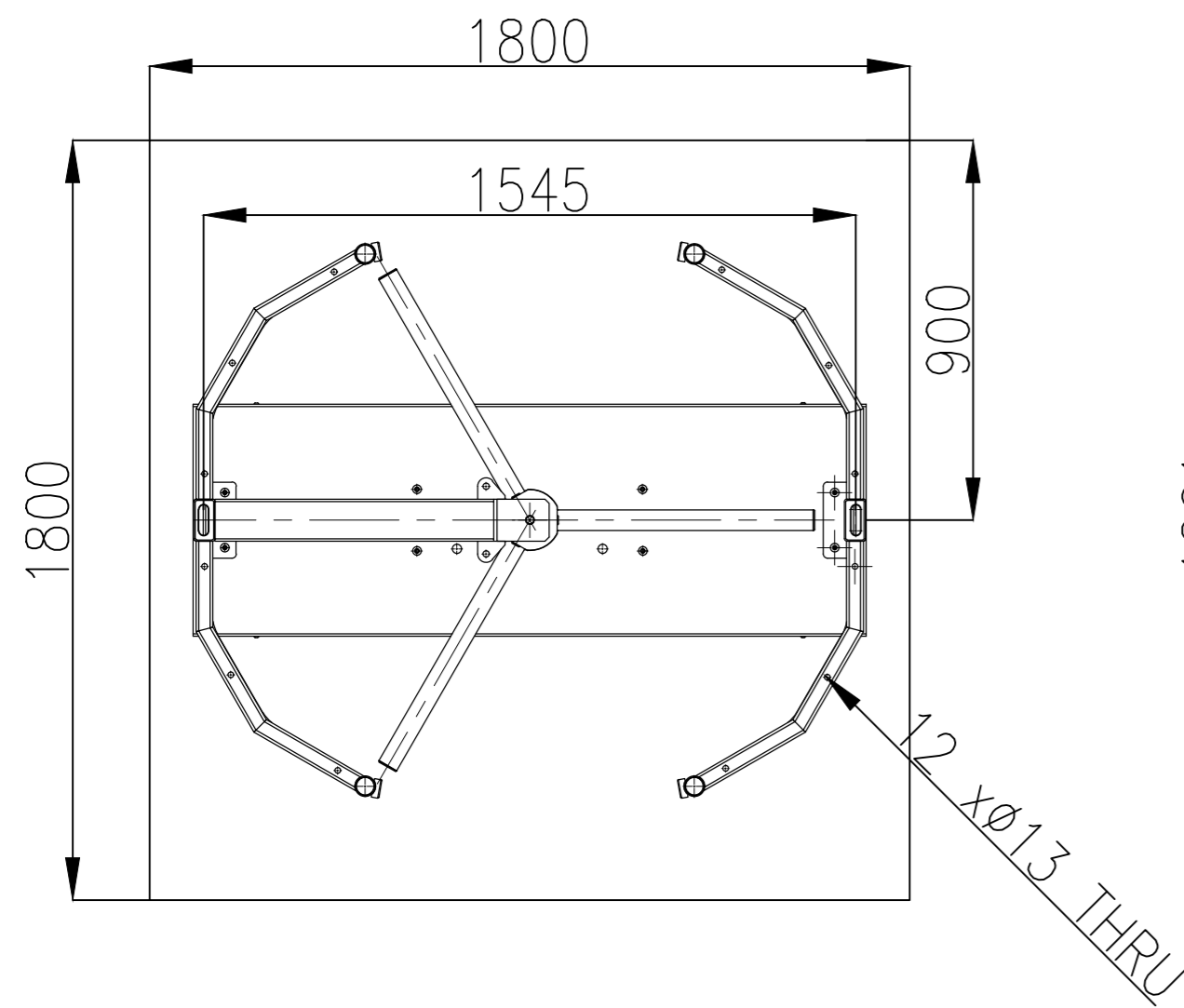
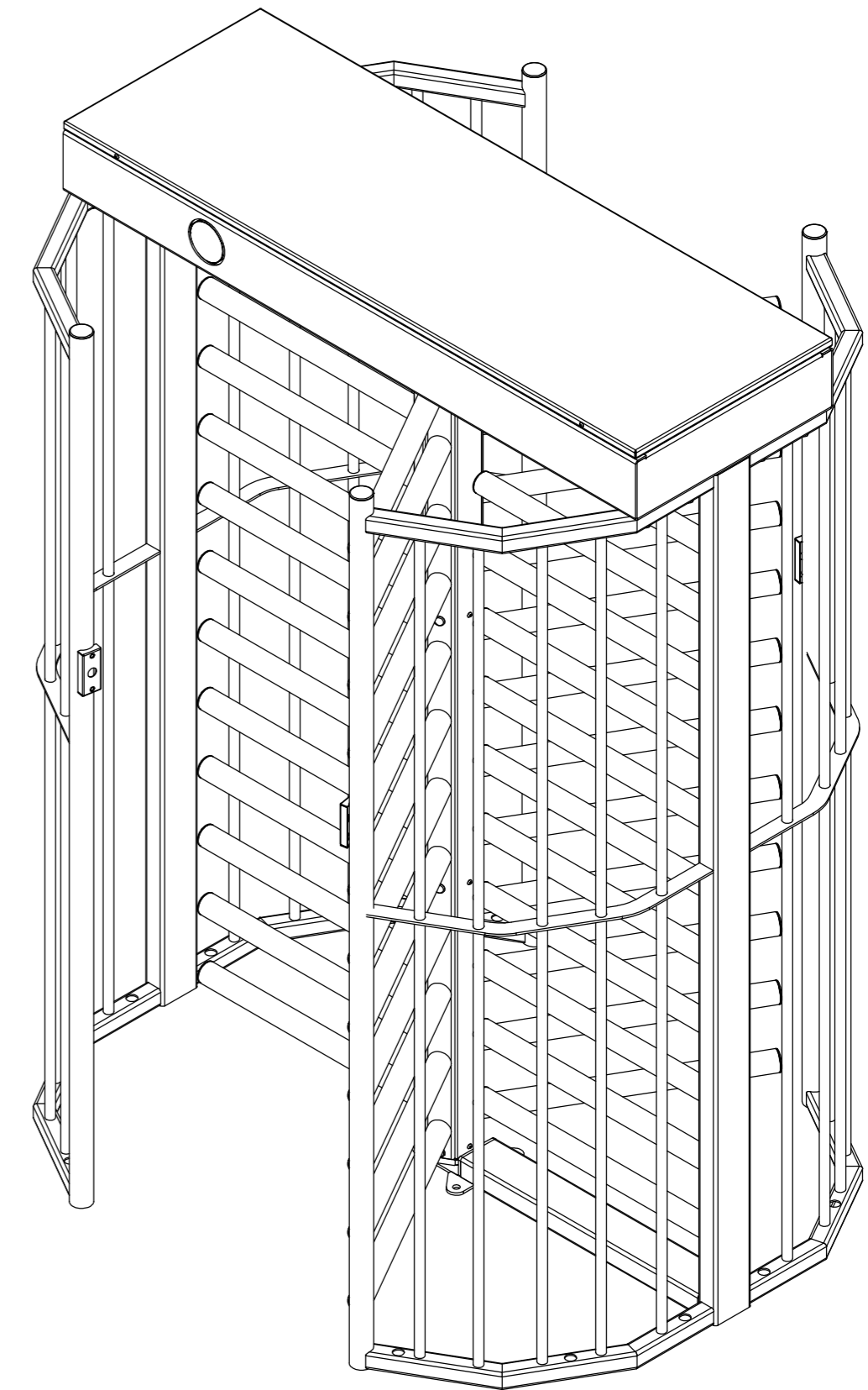
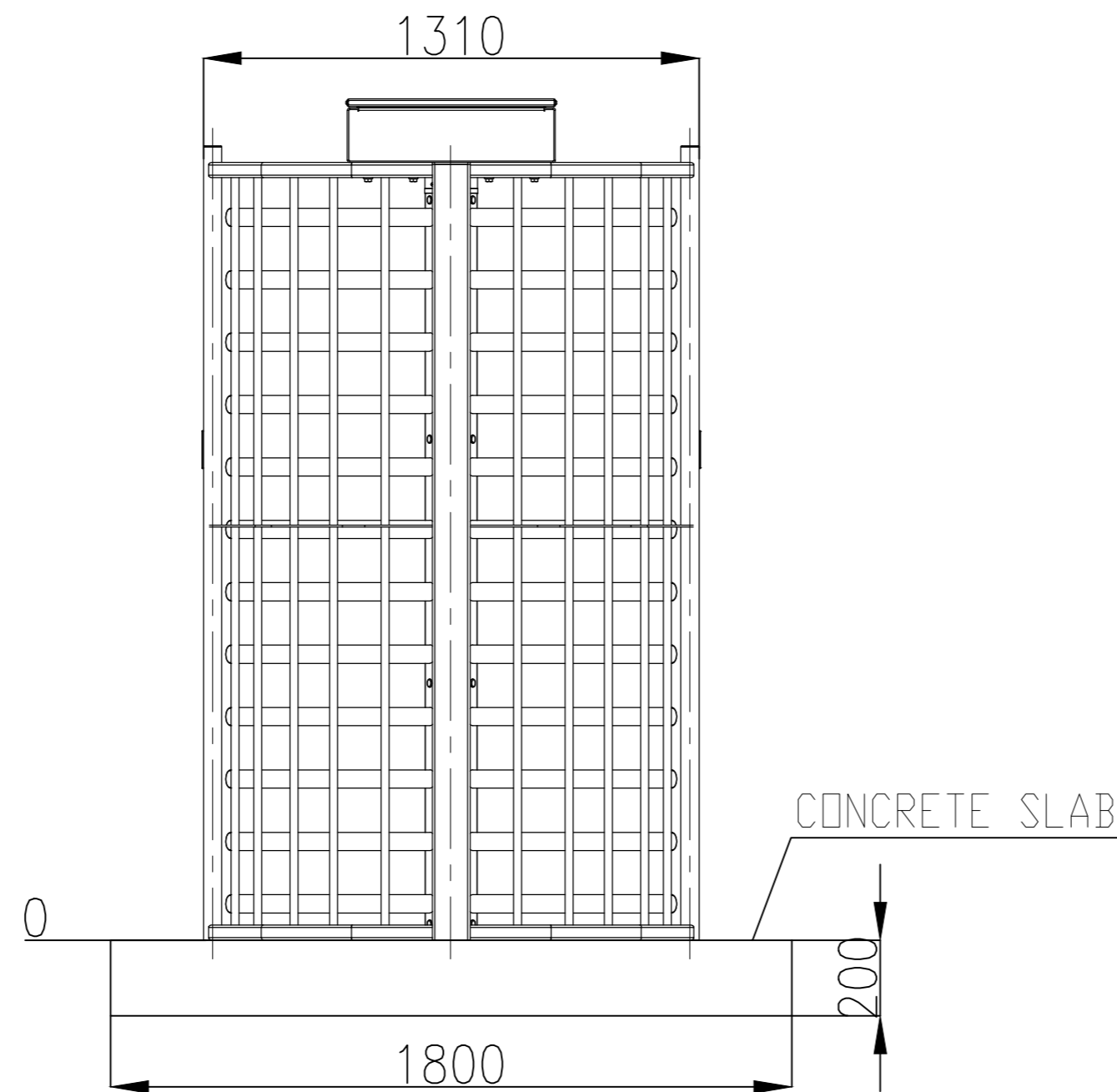
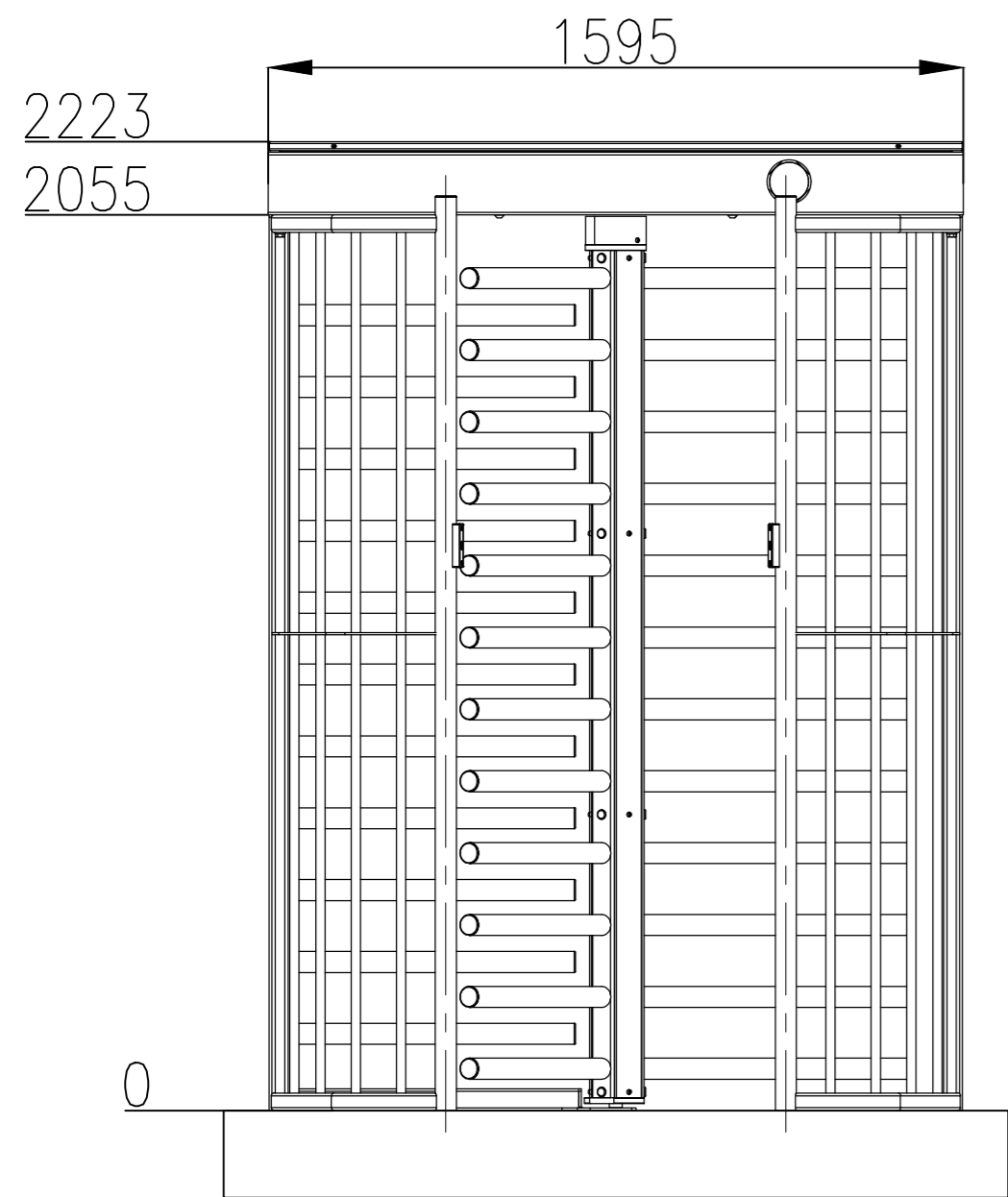


Turnstile TS10N



UNLESS OTHERWISE SPECIFIED: DIMENSIONS ARE IN MILLIMETERS

TOLERANCES:
 < 5 ±0.2
 5-30 ±0.5
 30-120 ±0.8
 120-400 ±1.2
 400-1000 ±2.0
 1000-2000 ±3.0
 2000-4000 ±4.0
 > 4000 ±5.0
 ANGULAR: ±0.5°

NAME	SIGNATURE	DATE
DRAWN		
CHK'D		
APPV'D		

FINISH: ○ ○ ○

כביצוע כאישור נעיון

DO NOT SCALE DRAWING

REVISION

Project: Turnstile TS10N

B.G.Ilanit Gates & Urban elements LTD.
 Site: www.bgibarriers.com
 Phone: 972-3-530465
 Fax: 972-3-5383113
 E-mail: info@bgilanit.com

DWG NO. A2

BGI INTELLIGENT BARRIER SOLUTIONS

מחזור	תאריך	תואר הטכני