



BGI ENGITECH PVT LTD

BGI Tripod Turnstile T141-112



■ Functions & Features

Full-automatic

1. Stainless steel Housing
2. Bi-direction pass
3. Arms auto drop when power off
4. Arms auto rise up when power on and auto stop on obstacle
5. Traffic light indicator
6. Dry contact, is compatible with smart card for access control
7. If the passenger does not pass in valid time, the passage will be locked up. And the valid passing time can be set up by operator



BGI ENGITECH PVT LTD

BGI Tripod Turnstile T141-112



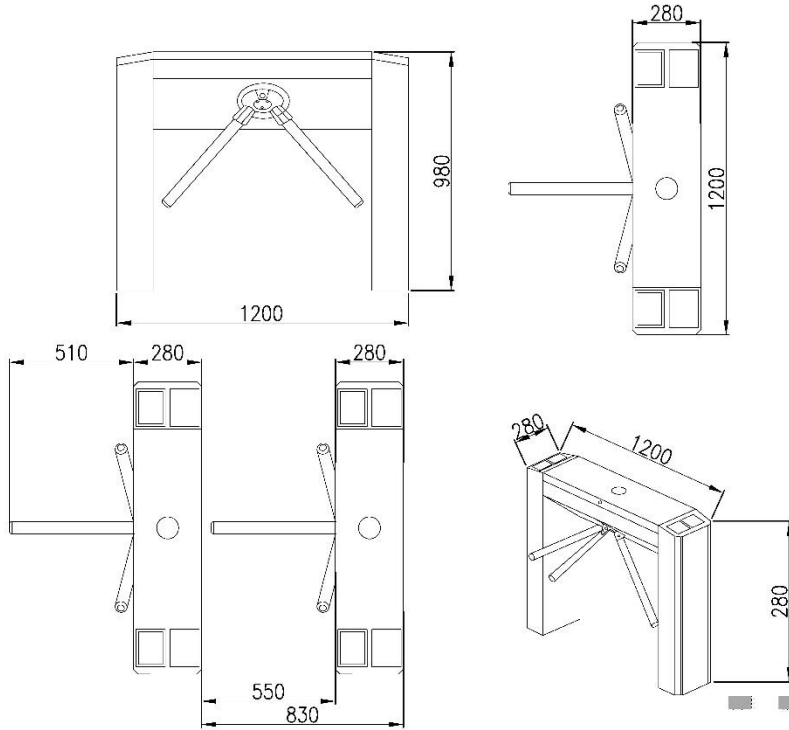
■ Technical Data

Items	Model	BGI T141-112
Manual, Semi or Full-Automatic		Full-automatic
Material of Housing		304 Stainless Steel
Dimension of Housing (LxWxH mm)		1200X280x980
Length of Pole (out of housing)		510
Pass width		<550mm
Net Weight		55kg
Rotating Direction		Double Direction
Power Supply		220V± 10%, 110V± 10%
Frequency		50/60HZ
Driving voltage		24V
Power consumption		30W
Input		12v dry contact
Pass rate		35 persons/min
Working Temperature		-25°C-70°C
Working Environment		Indoor / Outdoor (Shelter)
Relative Humidity		≤95%



BGI ENGITECH PVT LTD

Dimensions



ב.ג. אילנית שערים
ואלמנטים אורבניים בע"מ

