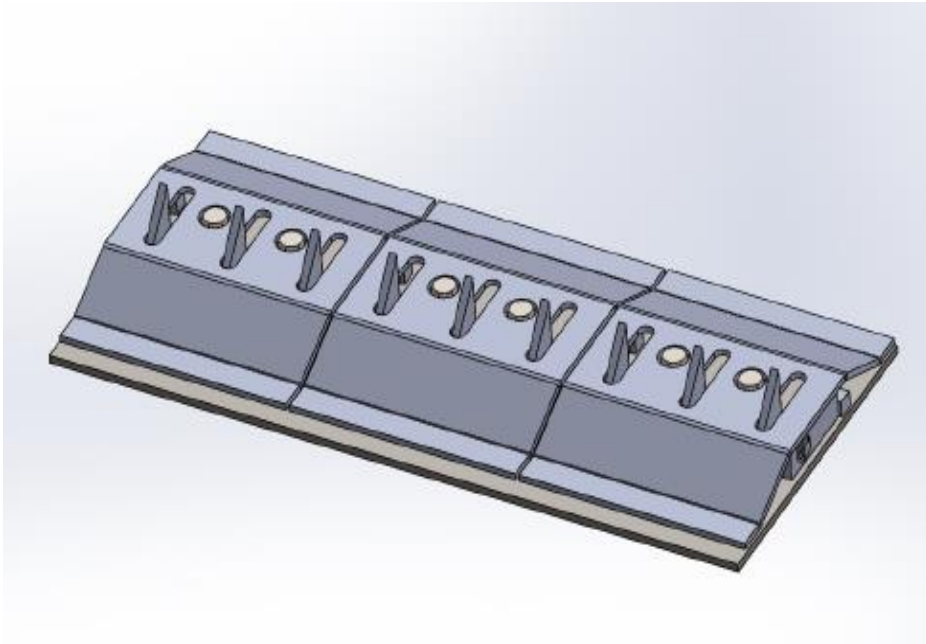




## BGI LTD - ב.ג.ג אילנית שערים



### PRODUCT DESIGN SPECIFICATIONS

Height	3.5 Inches
Width	2 TO 2.2 mtr
Thickness of Cover Plate	8mm
Weight	25 TO 30 ton
Material	MS - IS 2062
Coating	Poly urathene / Galvanizing
Color	Golden
Locked UP & Down	Lock Up Side
Packaging Standard	2 OR 3