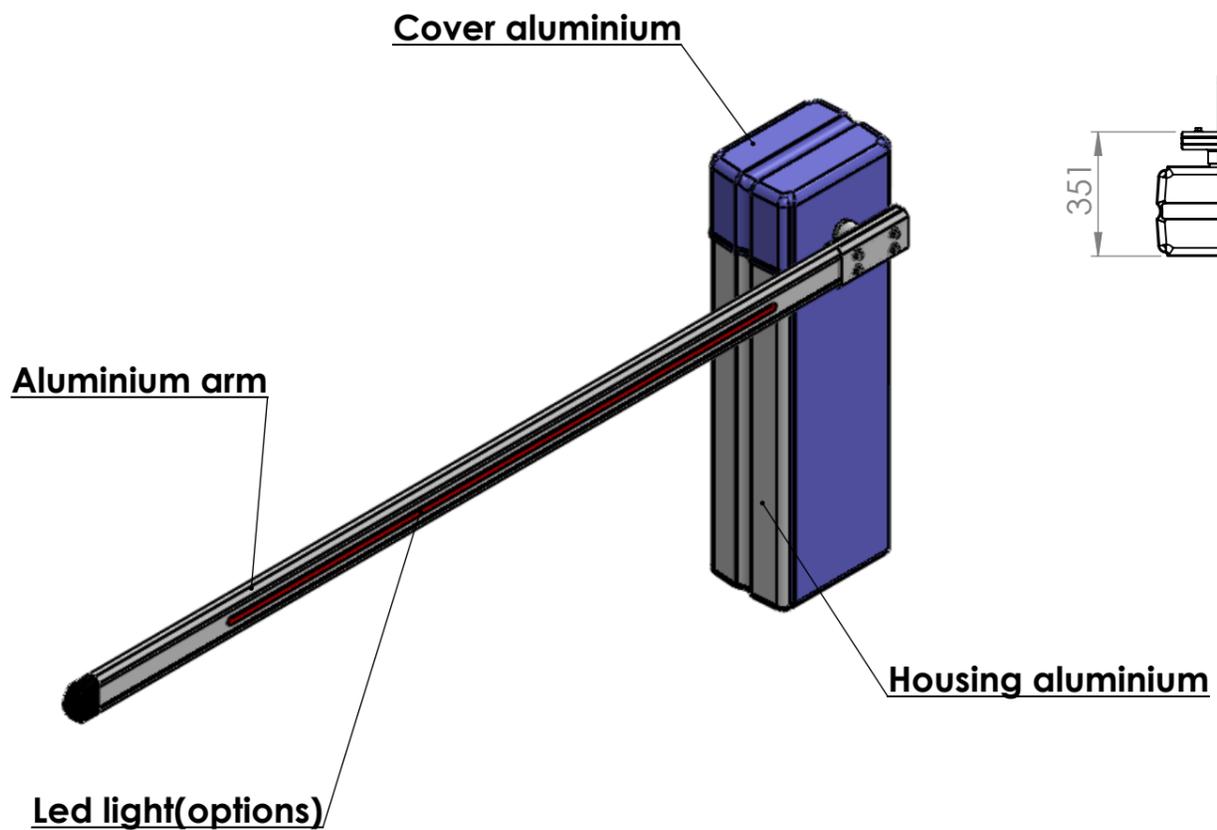
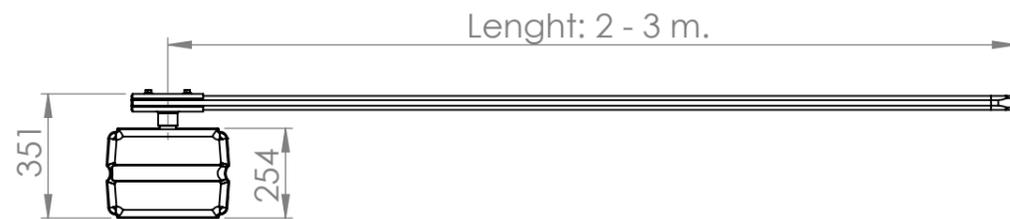
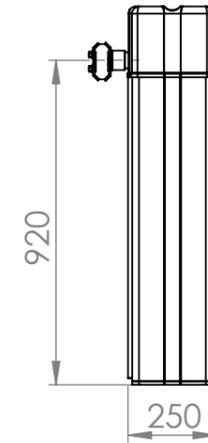


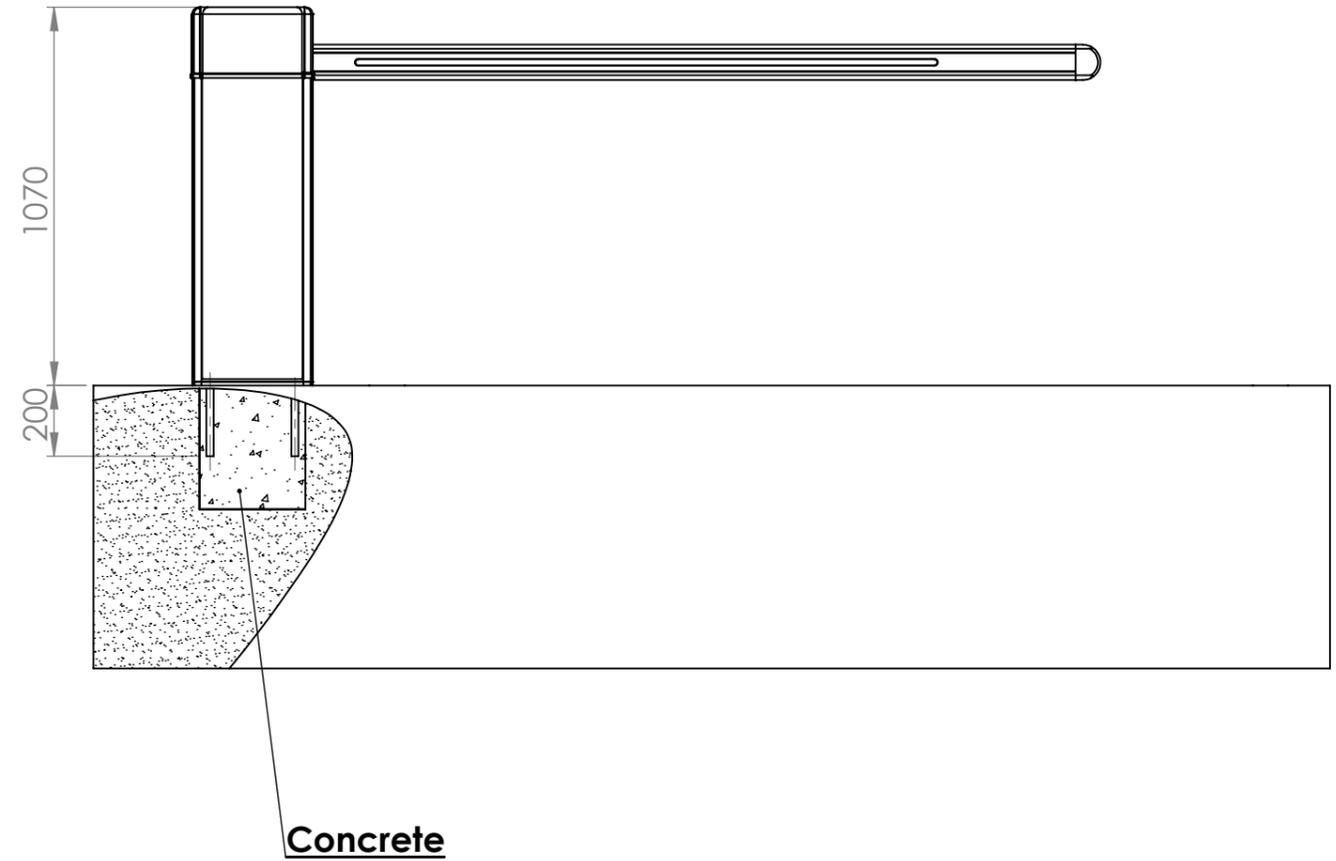
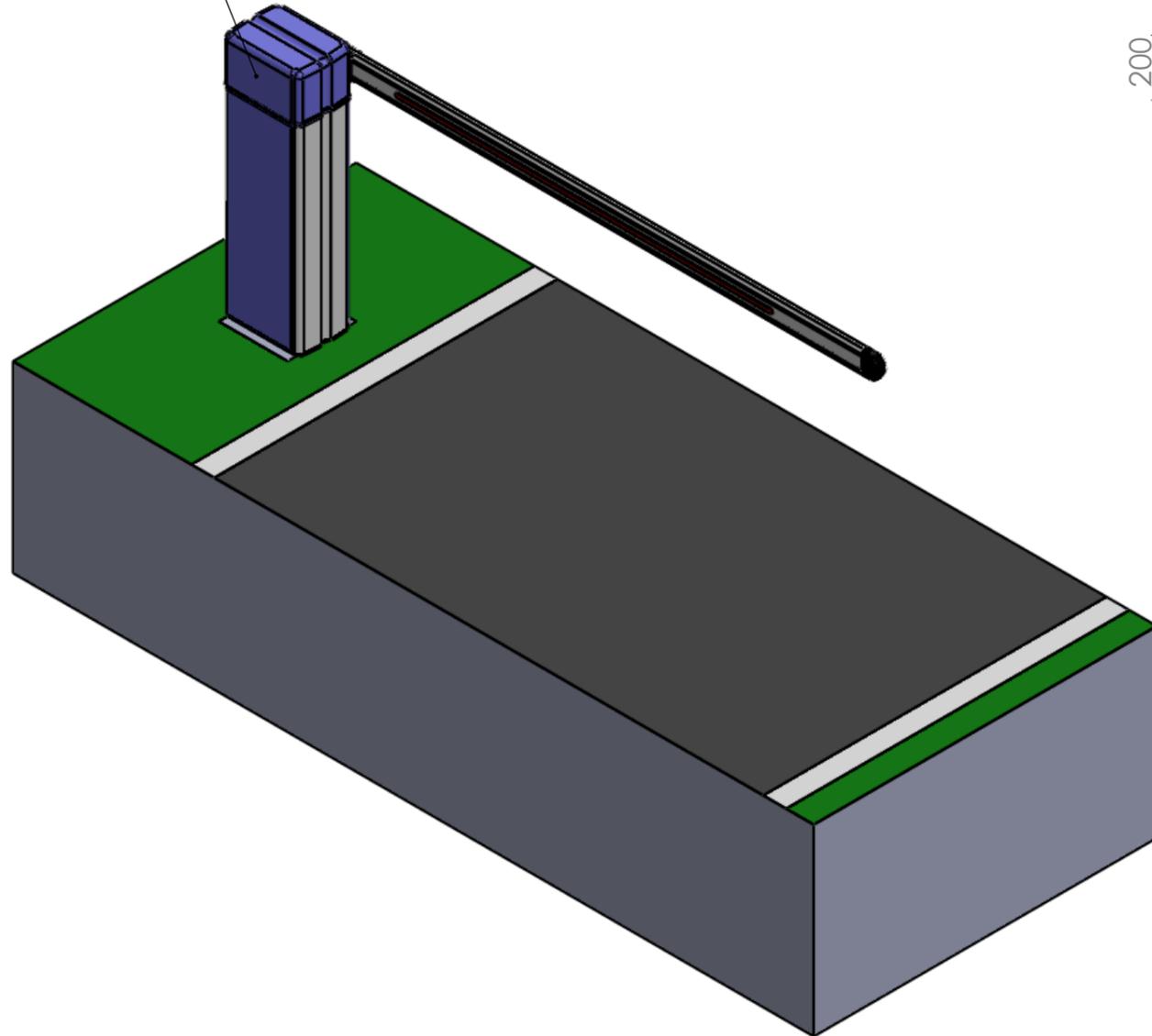


LIFT ARM BARRIER ITEM: L3000



UNLESS OTHERWISE SPECIFIED: DIMENSIONS ARE IN MILLIMETERS SURFACE FINISH: TOLERANCES: ±0.1 mm. LINEAR: ±0.5 mm. ANGULAR: ±0.5°		FINISH:	Quant.	DO NOT SCALE DRAWING	REVISION
DRAWN		NAME	SIGNATURE	DATE	Project: LIFT ARM BARRIER ITEM: L3000 B.G.Ilanit Gates & Urban elements LTD. Site: www.bgibarriers.com Phone: 972-3-5500465 Fax: 972-3-5583113 E-mail: info@bgilanit.com BGI INTELIGENT BARRIERS SOLUTIONS
CHK'D					
APPV'D					
MFG					
Q.A					
		MATERIAL:		DWG NO.	A3
		WEIGHT:		SCALE:1:50	SHEET 1 OF 2

Barrier type: **Light arm barrier**
 Mechanism: **Electric with emergency manual control**
 Power supply: **0.5HP motor 240VAC**
 Speed: **2.5 sec.**
 Safety: **Infrared sensor. Warning light and/or traffic light.**



UNLESS OTHERWISE SPECIFIED: DIMENSIONS ARE IN MILLIMETERS		FINISH:	Quant.	DO NOT SCALE DRAWING	REVISION
SURFACE FINISH: TOLERANCES: ±0.1 mm. LINEAR: ±0.5 mm. ANGULAR: ±0.5°				Project: LIFT ARM BARRIER ITEM: L3000	
NAME	SIGNATURE	DATE		B.G.Ilanit Gates & Urban elements LTD.	
DRAWN		03/11/13		Site: www.bgibarriers.com	
CHK'D		03/11/13		Phone: 972-3-5500465	
APPV'D		03/11/13		Fax: 972-3-5583113	
MFG				E-mail: info@bgilanit.com	
Q.A			MATERIAL:	 BGIBARRIERS LTD.	
				DWG NO.	L3000-B.G.Ilanit
			WEIGHT:	SCALE:1:50	A3
					SHEET 2 OF 2