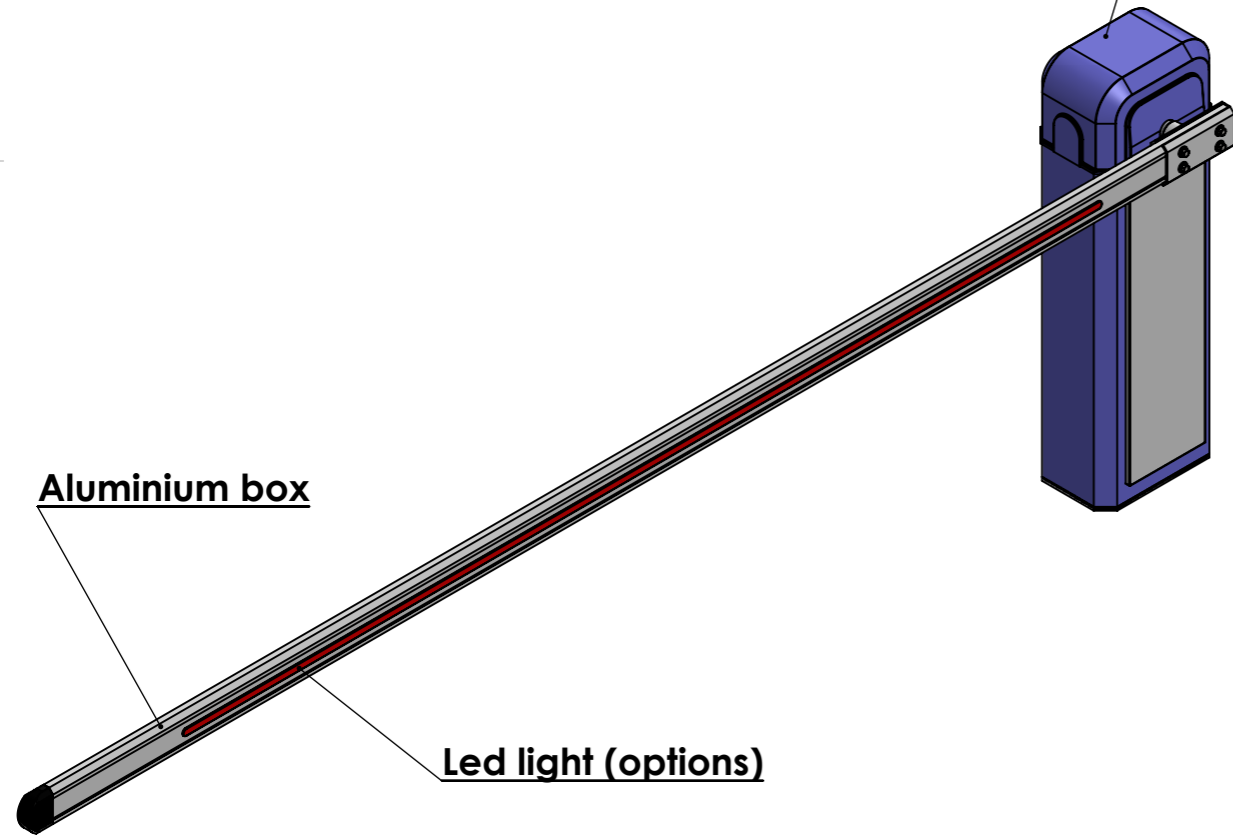




**LIFT ARM BARRIER ITEM: L2000**



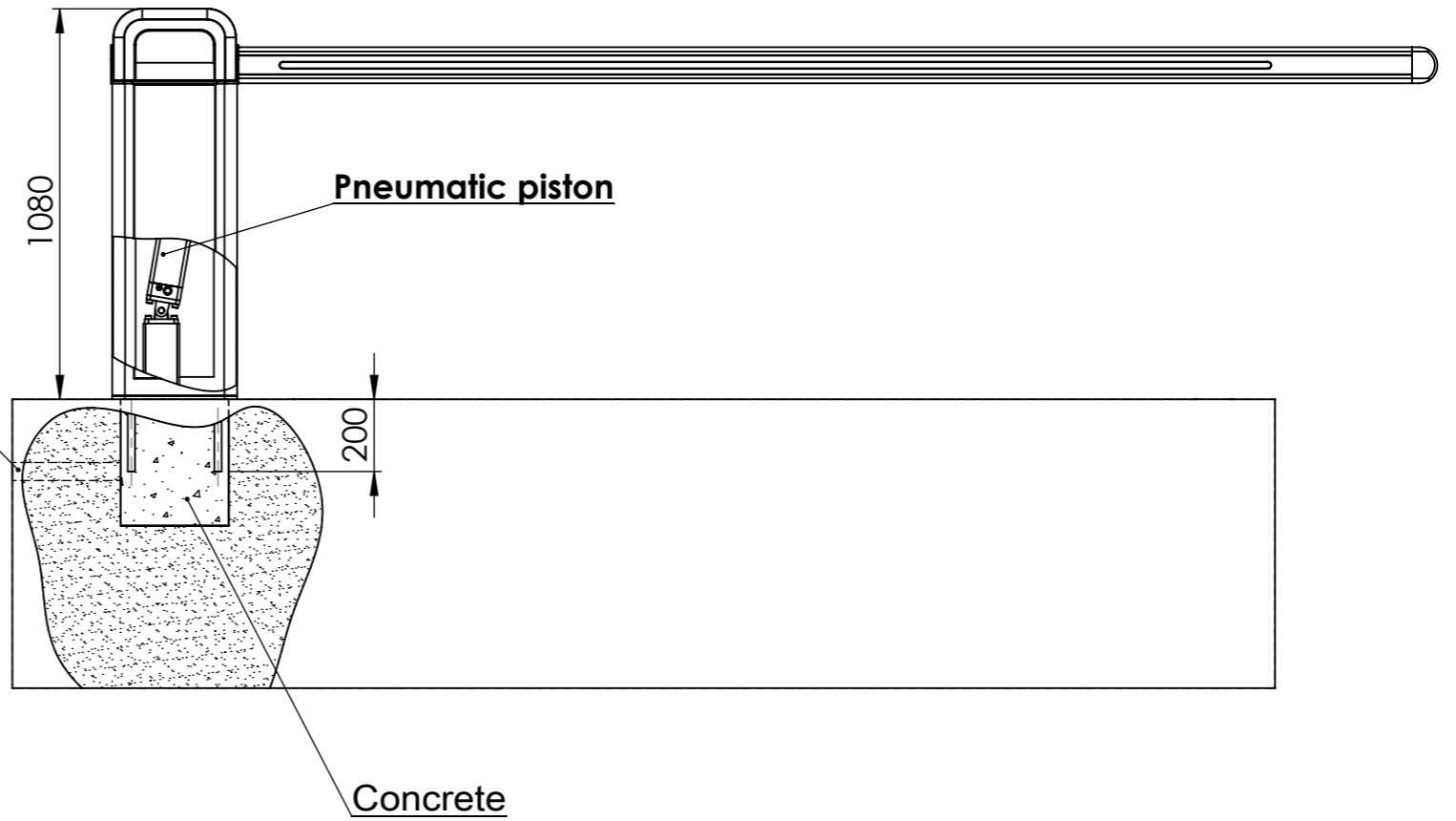
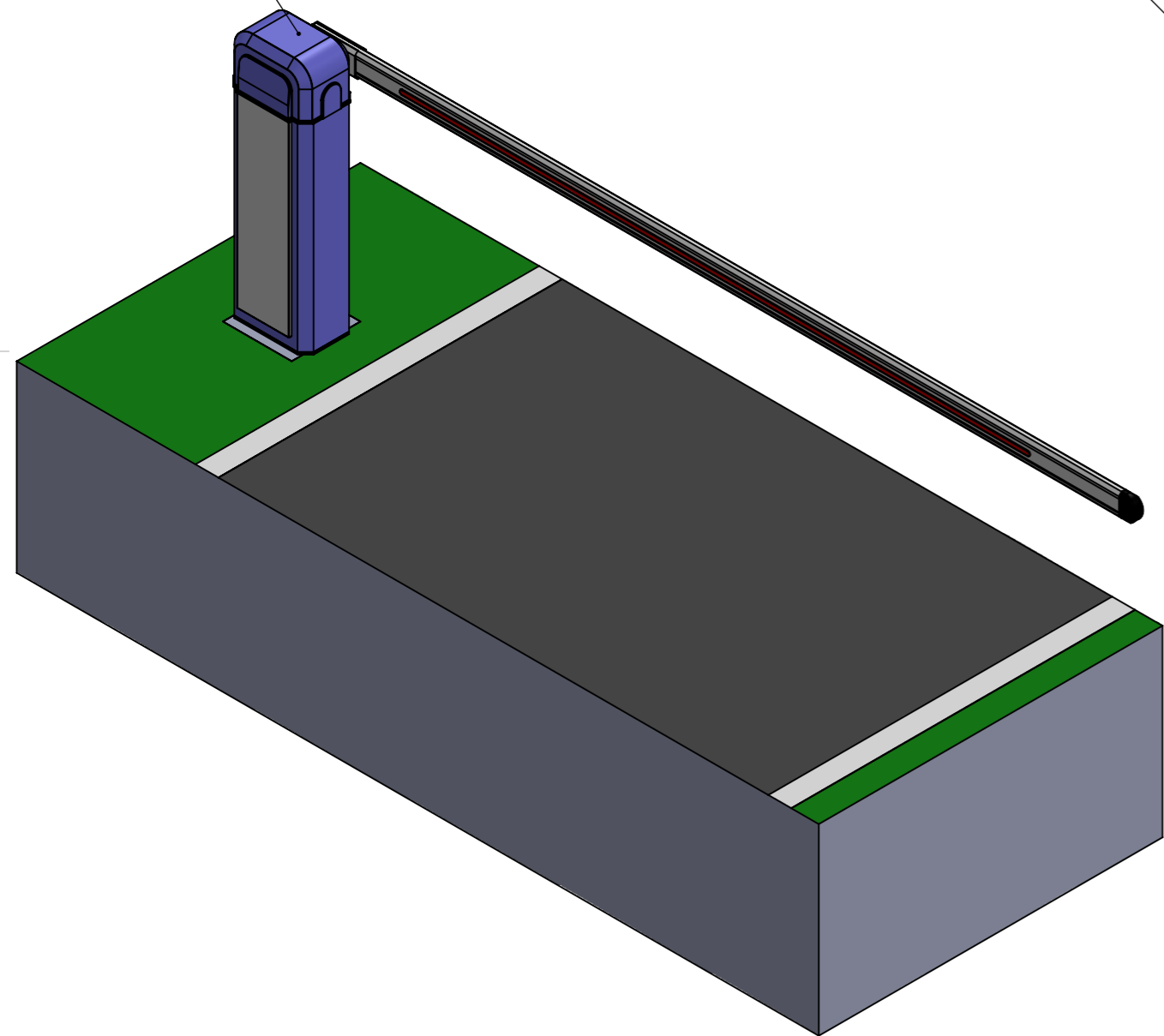
**Cover (Aluminium)**



Lenght: 3 - 5 m.

UNLESS OTHERWISE SPECIFIED: DIMENSIONS ARE IN MILLIMETERS SURFACE FINISH: TOLERANCES: ±0.1 mm. LINEAR: ±0.5 mm. ANGULAR: ±0.5°				FINISH:		Quant.		DO NOT SCALE DRAWING		REVISION	
DRAWN				SIGNATURE		DATE		Project: <b>LIFT ARM BARRIER ITEM: L2000</b>			
CHK'D				SIGNATURE		DATE		B.G.Ilanit Gates & Urban elements LTD.			
APPV'D				SIGNATURE		DATE		Site: www.bgibarriers.com			
MFG				SIGNATURE		DATE		Phone: 972-3-5500465			
Q.A				SIGNATURE		DATE		Fax: 972-3-5583113			
				SIGNATURE		DATE		E-mail: info@bgilanit.com			
				SIGNATURE		DATE		BGI INTELLIGENT BARRIER SOLUTIONS			
				SIGNATURE		DATE		DWG NO. <b>L2000-B.G.Ilanit</b>			
				SIGNATURE		DATE		SCALE:1:50			
				SIGNATURE		DATE		SHEET 1 OF 2			
				SIGNATURE		DATE		A3			
				SIGNATURE		DATE		WEIGHT:			

Barrier type: **Light arm barrier**  
 Mechanism: **Pneumatic**  
 Power supply: **5-6Bar air pressure 240VAC-380VAC(Compressor)**  
 Speed: **From 1.5 sec.**  
 Safety: **Infrared sensor. Warning light and/or traffic light.**



UNLESS OTHERWISE SPECIFIED: DIMENSIONS ARE IN MILLIMETERS SURFACE FINISH: TOLERANCES: ±0.1 mm. LINEAR: ±0.5 mm. ANGULAR: ±0.5°		FINISH:	Quant.	DO NOT SCALE DRAWING	REVISION
DRAWN		SIGNATURE	DATE	Project: <b>LIFT ARM BARRIER ITEM: L2000</b>	
CHK'D			03/11/13	Site: www.bgibarriers.com	
APPV'D			03/11/13	Phone: 972-3-5500465	
MFG				Fax: 972-3-5583113	
Q.A				E-mail: info@bgilanit.com	
			MATERIAL:	B.G.Ilanit Gates & Urban elements LTD.	
			WEIGHT:	BGI INTELLIGENT BARRIER SOLUTIONS	
				DWG NO.	A3
				L2000-B.G.Ilanit	
				SCALE:1:50	SHEET 2 OF 2