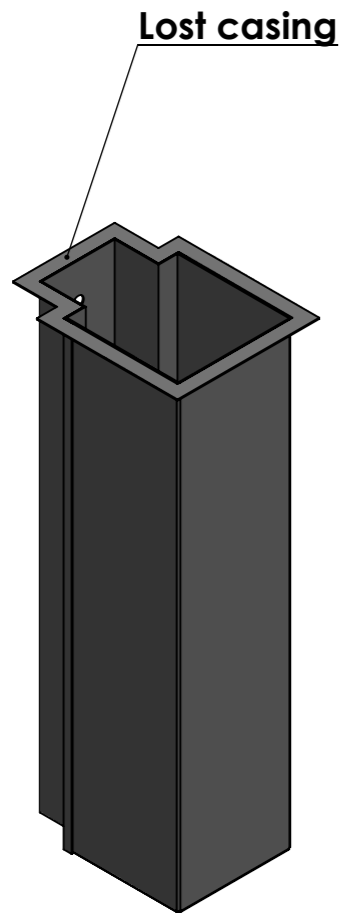
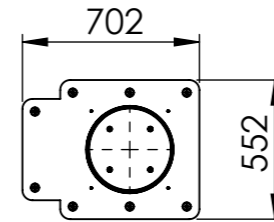
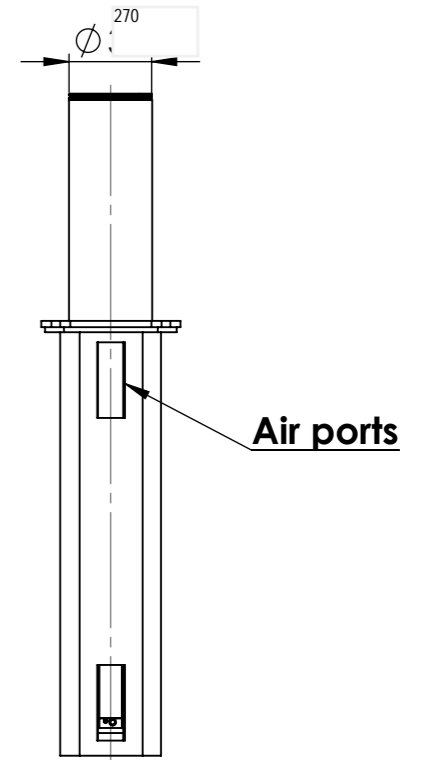
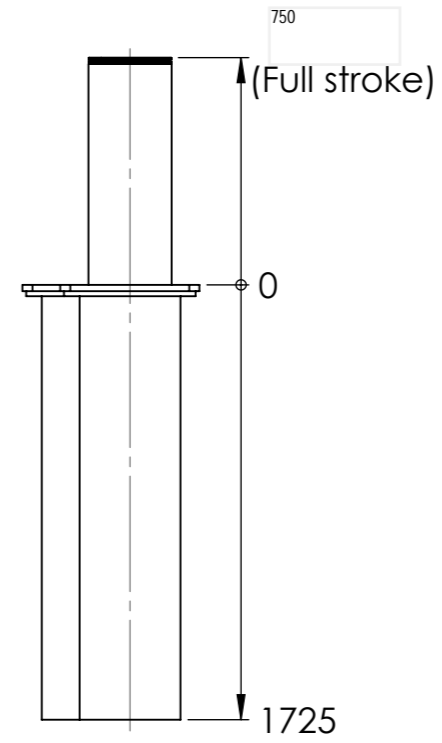
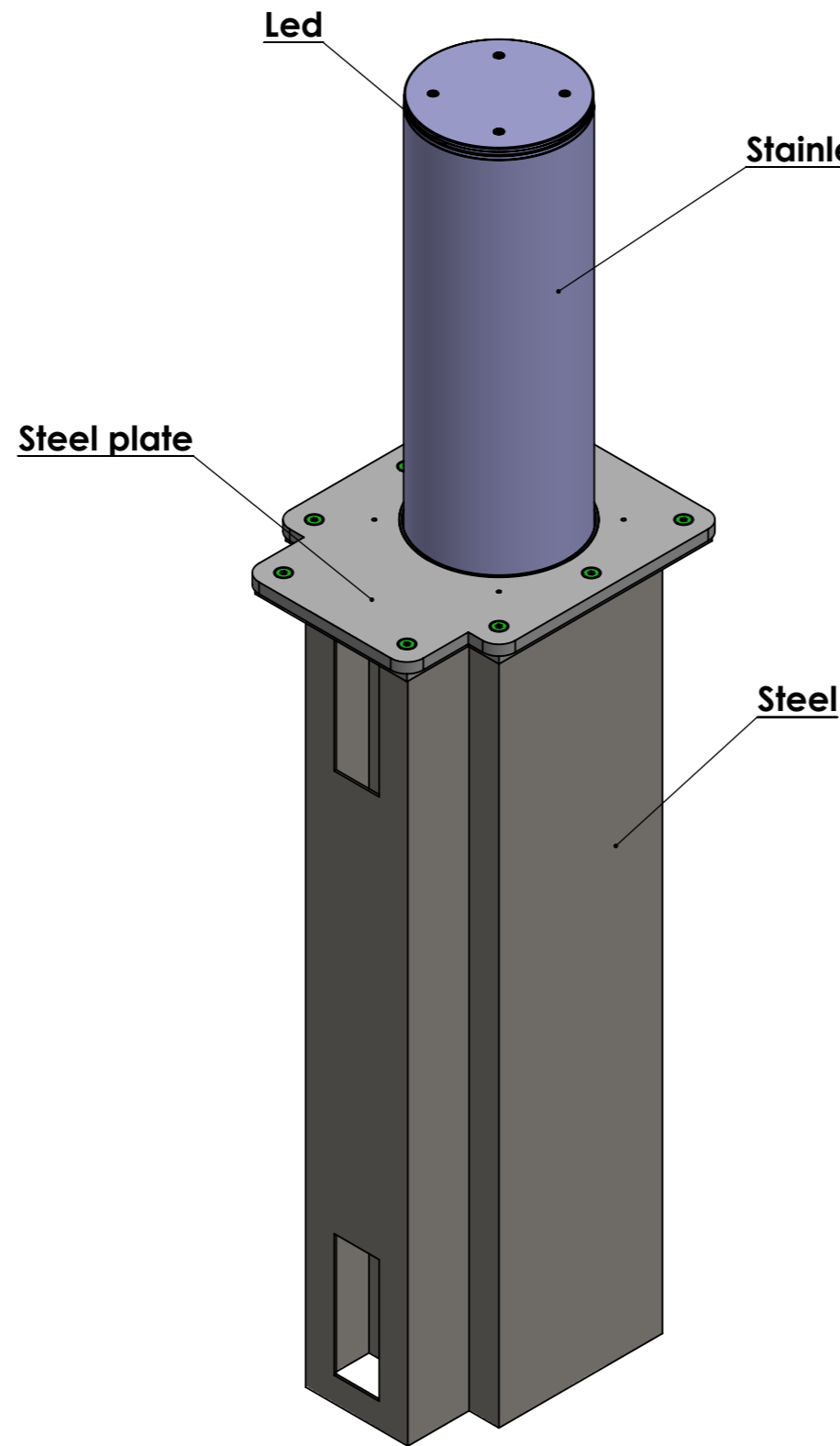


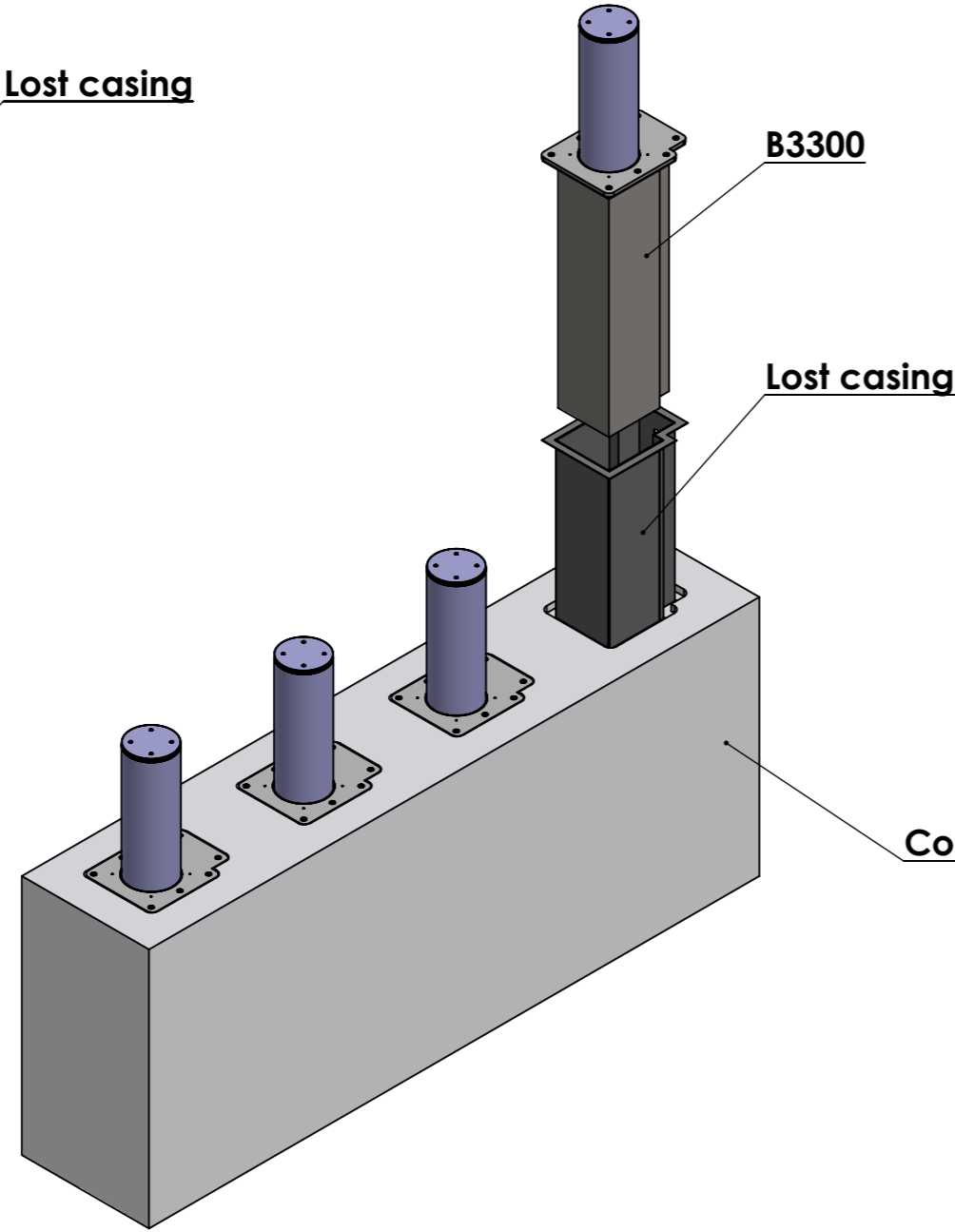
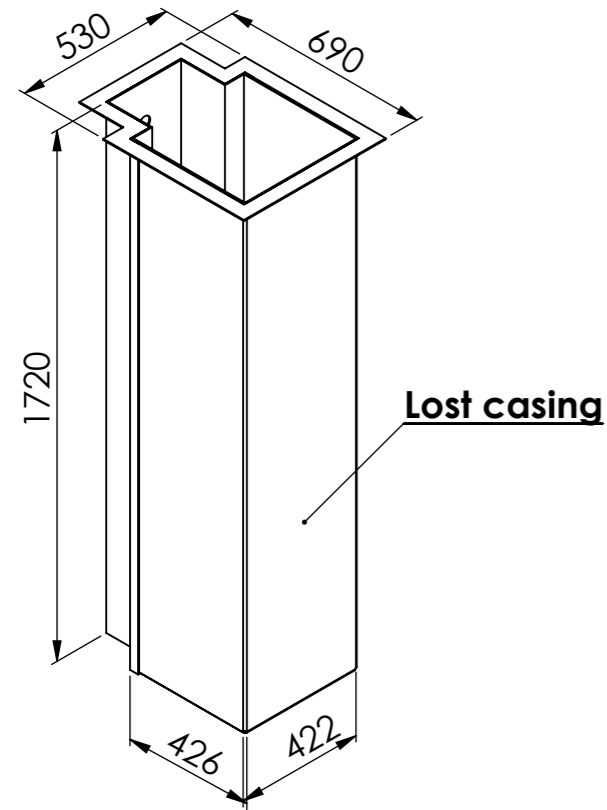


# BOLLARD ITEM: B3300

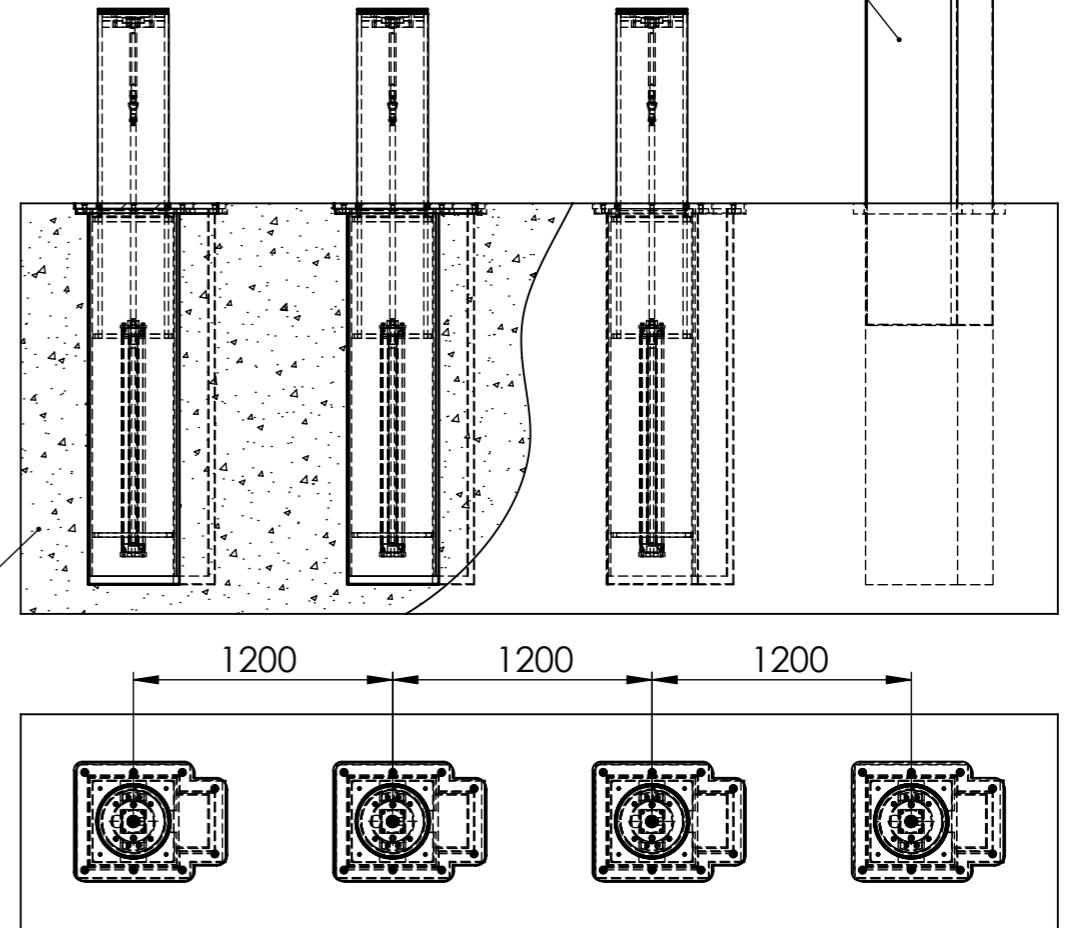
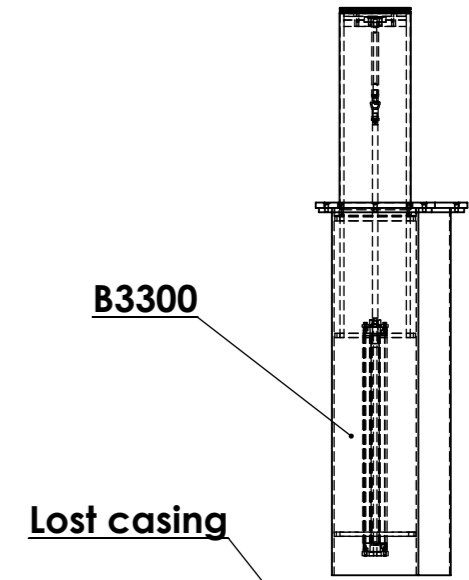


UNLESS OTHERWISE SPECIFIED: DIMENSIONS ARE IN MILLIMETERS SURFACE FINISH: TOLERANCES: ±0.1 mm. LINEAR: ±0.5 mm. ANGULAR: ±0.5°		FINISH:	Quant.	DO NOT SCALE DRAWING	REVISION
DRAWN Robert Gelman		SIGNATURE	DATE	Project: <b>BOLLARD ITEM: B3300</b>	
CHK'D David Ziv				B.G.Ilanit Gates & Urban elements LTD.	
APPV'D Shay Netah				Site: www.accesscontrol.co.il Phone: 972-3-5500465 Fax: 972-3-5583113 E-mail: info@bgilanit.com Address: Mevo Horon 99765 ISRAEL.	
MFG				DWG NO.	
Q.A		MATERIAL:		B3300-0000-0001-0000-0000_Catalog	
		WEIGHT:		A3	
				SCALE:1:50	
				SHEET 1 OF 2	

# Lost casing for B3300



Concrete



UNLESS OTHERWISE SPECIFIED:  
DIMENSIONS ARE IN MILLIMETERS  
SURFACE FINISH:  
TOLERANCES: ±0.1 mm.  
LINEAR: ±0.5 mm.  
ANGULAR: ±0.5°

FINISH:

Quant.

DO NOT SCALE DRAWING

REVISION

Project:

**BOLLARD ITEM: B3300**

**B.G.Ilanit Gates & Urban elements LTD.**

Site: [www.accesscontrol.co.il](http://www.accesscontrol.co.il)  
Phone: 972-3-5500465  
Fax: 972-3-5583113  
E-mail: [info@bgilanit.com](mailto:info@bgilanit.com)  
Address: Mevo Horon 99765 ISRAEL.

NAME	SIGNATURE	DATE
DRAWN Robert Gelman		
CHK'D David Ziv		
APPV'D Shay Netah		
MFG		
Q.A		
		MATERIAL:
		WEIGHT:

DWG NO.  
B3300-0000-0001-0000-0000\_Catalog

A3

SCALE:1:100

SHEET 2 OF 2